

Sensor SB69-100V

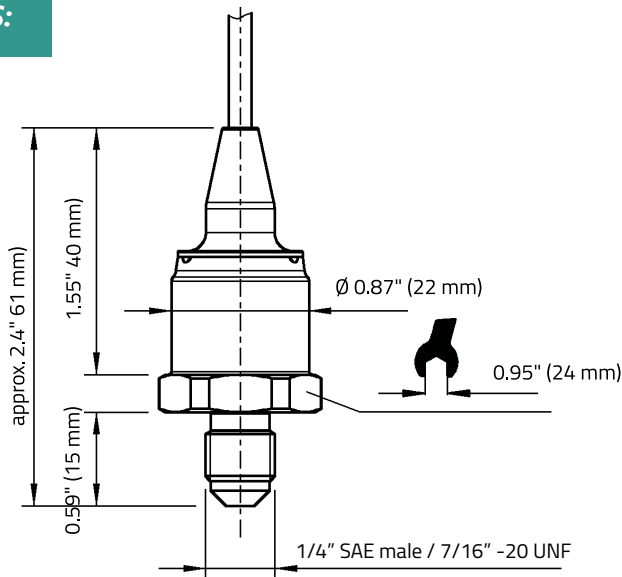
DESCRIPTION:

Piezoresistive Pressure Transmitters with ratiometric output signal, 0-100 PSI (0-6 bar) pressure range and 3-wires. It has extreme ruggedness towards electromagnetic fields. These transmitters are also extremely immune to external voltages between the housing and the electrical connection, which is particularly important when frequency converters are being used. The high insulation voltage of 500V make this product ideal for use in the harshest of environments.

COMPATIBLE INSTRUMENTS:

- PCT-100Ri
- PCT-400Ri
- PCT-420Ri
- MOD64

DIMENSIONS:



CABLE

WHITE: +OUT
GREEN: GND
BROWN: +VCC

MORE INFORMATIONS:

- **Output signal:** 0.5...4.5 V, ratiometric
- **Pressure port:** 1/4" SAE male / 7/16" -20 UNF
- **Electrical connection:** 1m
- **Supply:** 5V ±0,5
- **Isolation:** 500 VDC
- **Operation temperature range:** -40°C to 100°C (-40°F to +212°F)
- **Material in Media Contact:** Stainless Steel

FULL GAUGE'S TIP

The accessories that will simplify your installation.



CONTACT OUR SALES TEAM FOR MORE INFORMATION.



www.fullgauge.com
comex@fullgauge.com